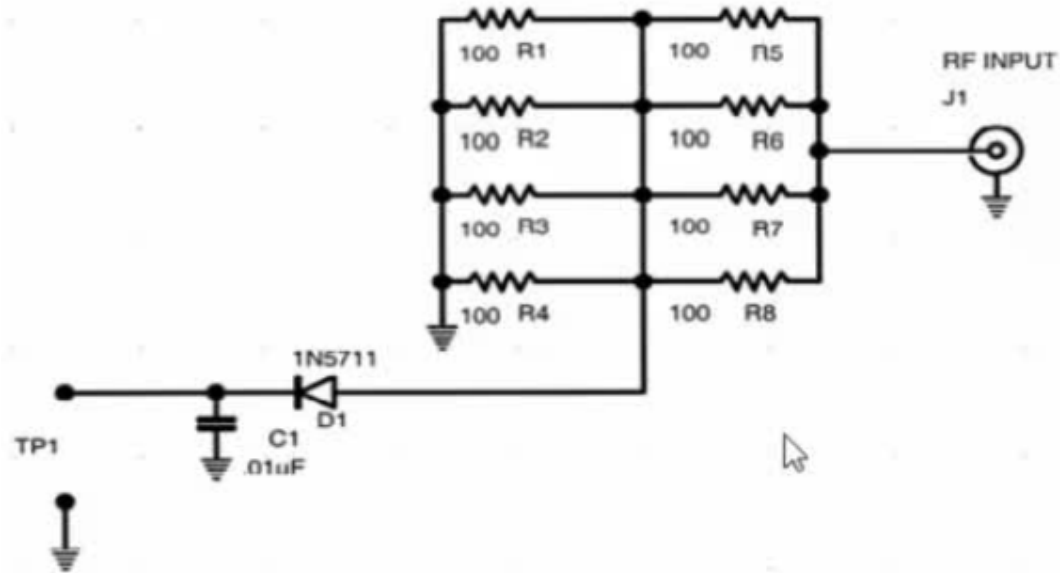


Carico fittizio 20 watt

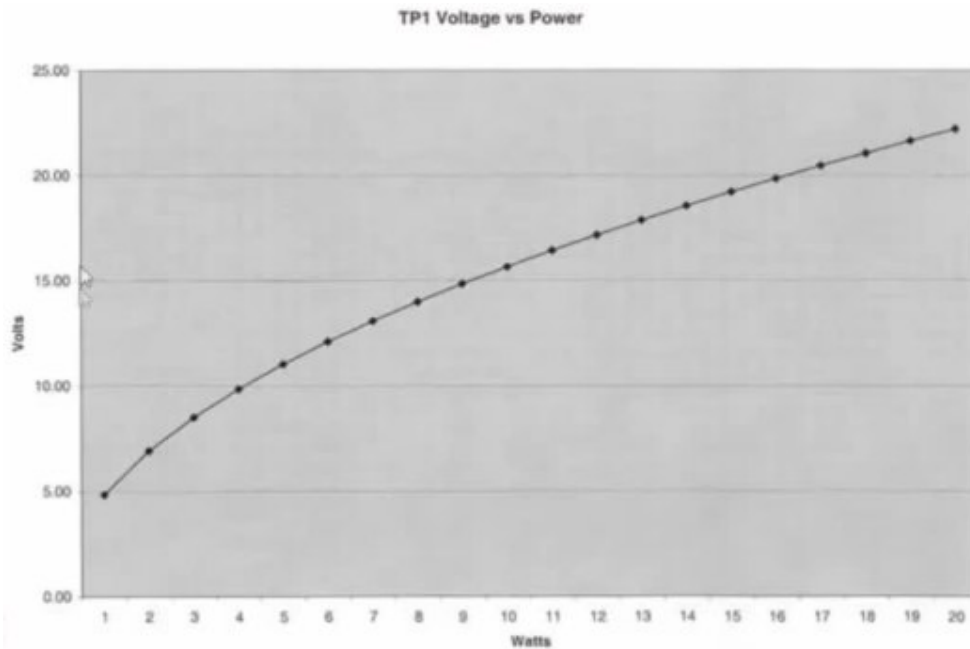


8 resistenze FILM METALLICO da **100 ohm 3 watt 1%**

1 diodo **1N5711**

1 condensatore ceramico **0.01 uF**





$P(\text{watts}) = (V + 0.25)^2 / 25$ where V = volts and 0.25 is the RF voltage drop across the diode.

Specifications

Power Rating	20 watts maximum.
Bandwidth	Input VSWR less than 1.1, 0 to 30 MHz 1.2, 0 to 144 MHz 1.3, 0 to 225 MHz
Power Measurement Accuracy	10%, typical, 1 watt to 20 watts